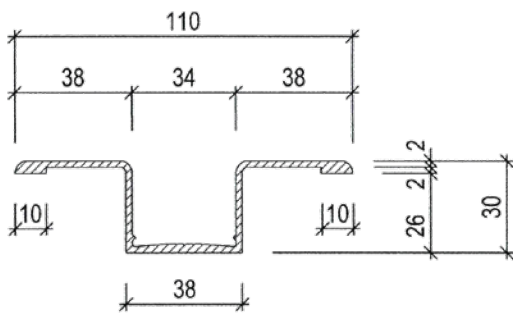


Our aluminium pilaster strips are easy to install and available in two versions, each with two different cover strips. These aluminium profiles are made of EN AW-6060T66 EN 755-9-material with available lengths up to 6.000 mm. The pilaster strips are powder coated and available in any RAL colour finish. The minimum purchase quantity: 84 lm.

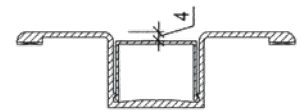
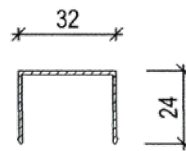
Your benefits at a glance:

- + light-weight construction
- + no displacement after installation due to tight fit
- + rounded edges for uniform joint appearance
- + installation aid to prevent damage

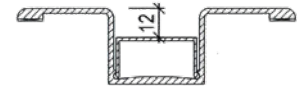
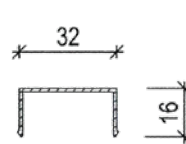
Pilaster strip 110



cover strip, large

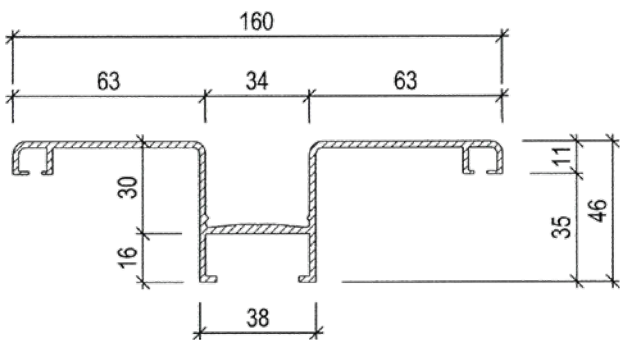


cover strip, small

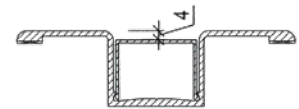
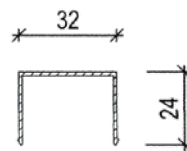


dimensions in mm

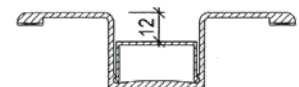
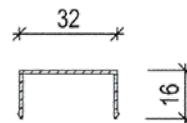
Pilaster strip 160*



cover strip, large



cover strip, small



dimensions in mm

*EPDM-seal mandatory
(individual delivery not possible/ 50 m per roll)

